

# KR Electronics, Inc.

## General Description

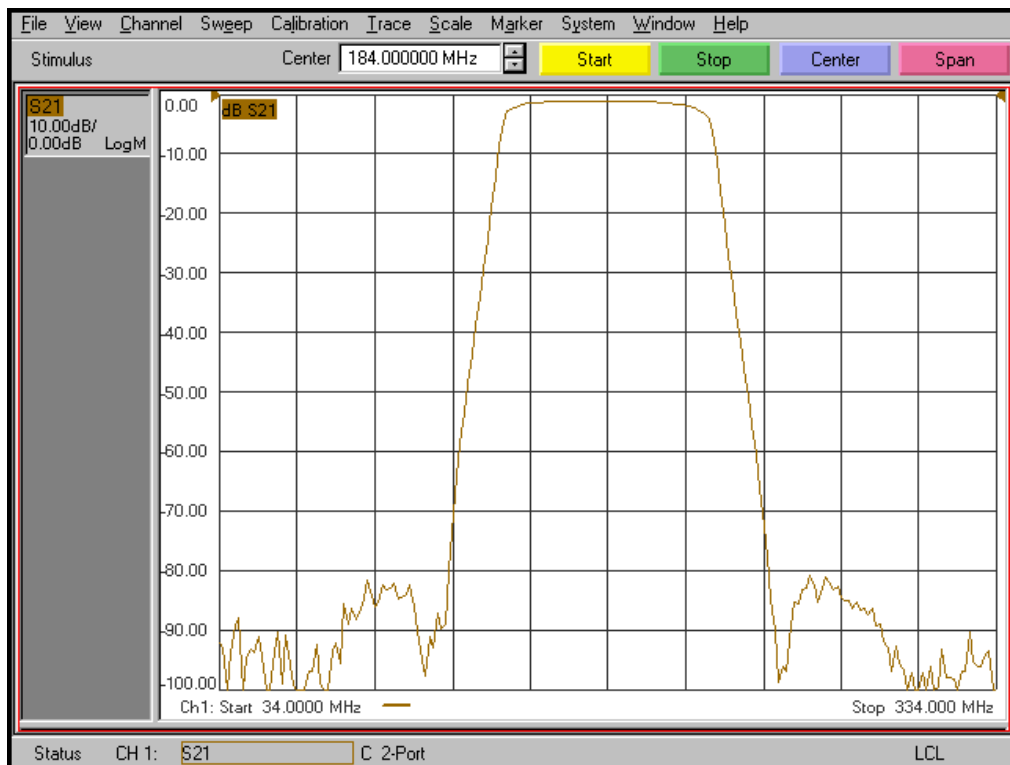
KR Electronics part number 3067 is a 184 MHz bandpass filter. The filter has a minimum 1 dB bandwidth of 50 MHz and maximum 60 dB bandwidth of 122 MHz. Other center frequencies and bandwidths are available. Please consult the factory.

### Features

- 184 MHz Bandpass Filter
- Sharp Elliptic Type Design
- 50  $\Omega$  Source and Load
- Surface mount
- Also available with SMA Connectors

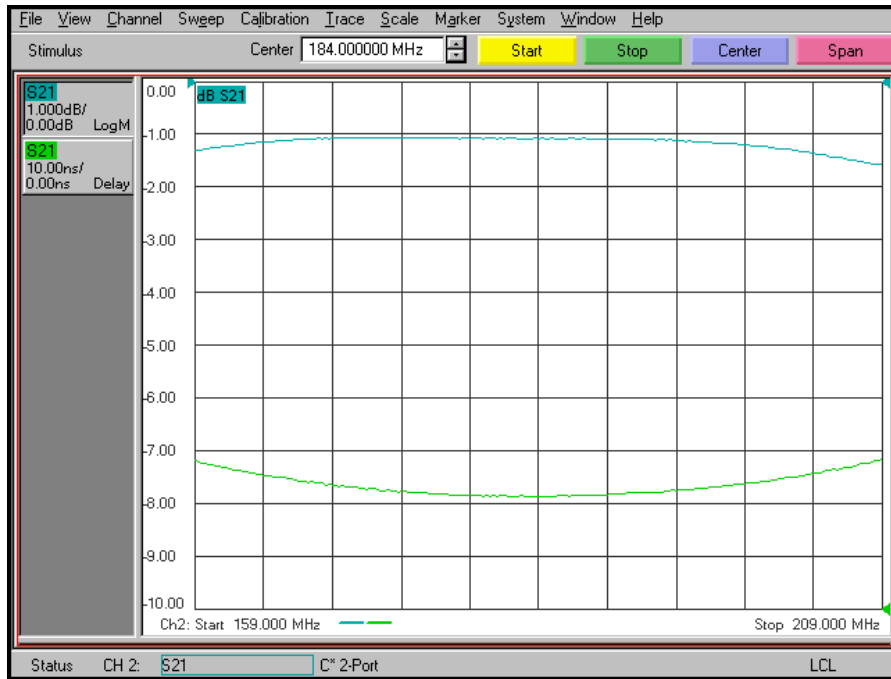
## Typical Performance

**Overall Response**  
(10 dB/div)

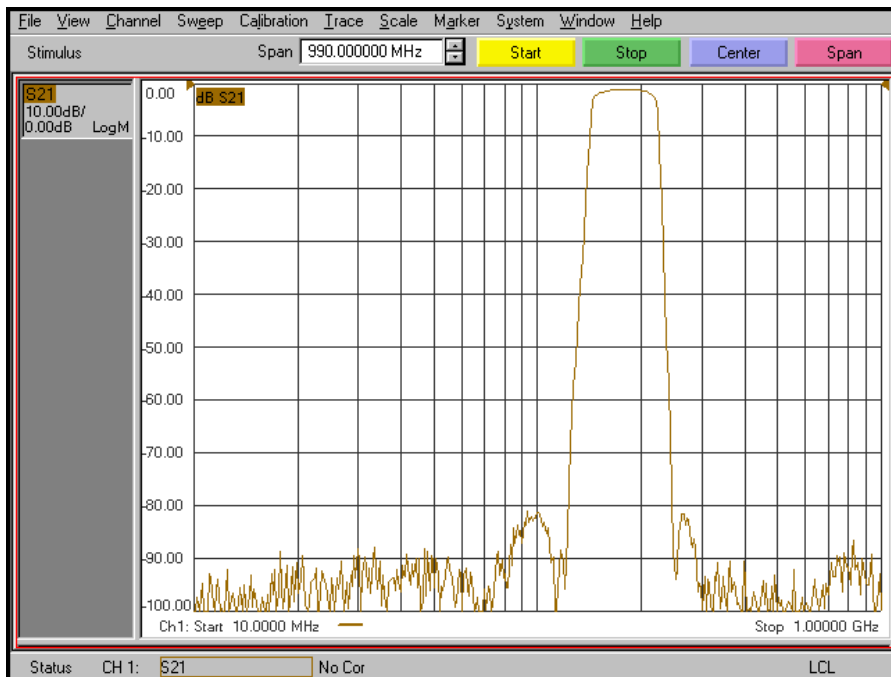


# KR Electronics 3067

## Passband Amplitude & Group Delay (1 dB/div & 10 nsec/div)



## Overall Response (10 dB/div)



KR Electronics, Inc.  
91 Avenel Street  
Avenel, NJ 07001

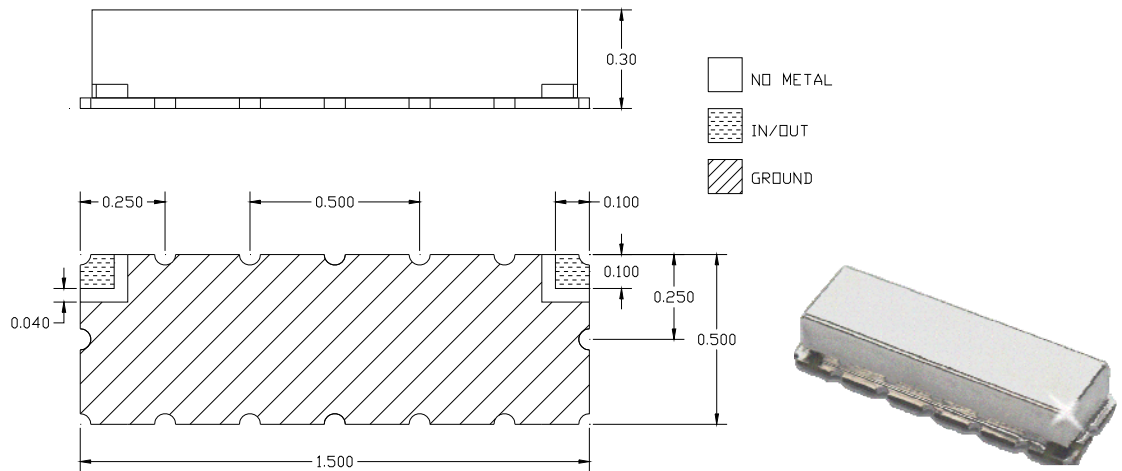
Web [www.krfilters.com](http://www.krfilters.com)  
Email [sales@krfilters.com](mailto:sales@krfilters.com)  
Phone (732) 636-1900  
Fax (732) 636-1982

# KR Electronics 3067

## Specifications

Parameter	Specification	
Filter type	Bandpass	
Center Frequency	184 MHz	
Insertion Loss at Center Frequency	3 dB max	1 dB typical
1 dB Bandwidth	50 MHz min	
60 dB Bandwidth	122 MHz max	
Source and Load	50 Ω	

## Physical Dimensions



### Notes:

1. Surface mount package
2. Dimensions in inches
3. Max reflow temperature 230° C for 10 sec
4. If boards are cleaned after installation units must be completely dried

KR Electronics, Inc.  
91 Avenel Street  
Avenel, NJ 07001

Web [www.krfilters.com](http://www.krfilters.com)  
Email [sales@krfilters.com](mailto:sales@krfilters.com)  
Phone (732) 636-1900  
Fax (732) 636-1982